

Introduction

This document provides the instructions necessary to package a filled and disinfected Disposable Solid Collection Filter for safe shipment to an authorized recycling service provider. The recycling pack kit is normally used with the Collection Filter Replacement Kit, P/N A1290, which does not include amalgam recycling.

Replacement Kit Components- Supplied

As shown by Figure 1, each kit contains a shipping container with locking lid and associated accessories consisting of a pre-paid shipment label, disinfection certificate with a Ziploc bag used to enclose the certificate, adhesive liner. A literature kit for shipment from Canada is also included.

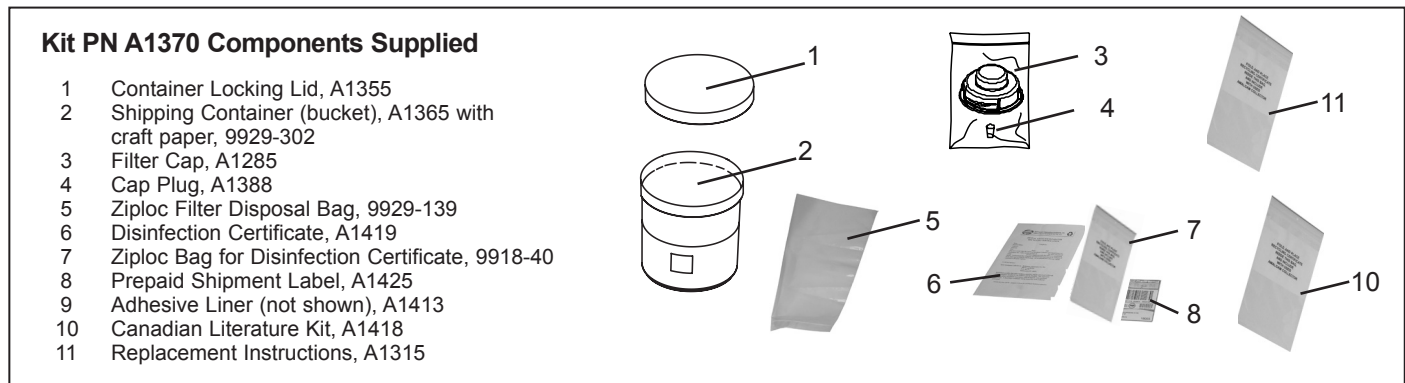


Figure 1. Solid Collection Filter Kit, Part Number A1370

Important: The Disposable Solid Collection Filter is not to remain in use for a period longer than 12 months (one year) from the date of installation.

Make sure the Disposable Solid Collection Filter is disinfected before packaging for shipment. See the section for Disinfecting the Filter in the instruction sheet (P/N A1415) supplied with the filter replacement kit, P/N A1290.

Shipping non-disinfected materials is a violation of many local, state and/or federal laws.

Dental Waste Handling

Solid Collection Filters collect waste materials from dental procedures. All maintenance personnel must be familiar with the procedures and practices for handling such dental waste and exercise every precaution to ensure personnel safety. Additionally, personnel must follow all local, state and/or federal laws and regulations for the proper disposal of dental waste containing mercury. Any operation, procedure or practice, which, if not strictly observed, may result in injury or long-term health hazards to personnel. Filled Collection Filters being sent for recycling should be handled, stored and disposed of according to regulations applying to dental waste containing mercury.

Proper Disposal of Amalgam Collector

After installation by an authorized Air Techniques Dealer, the Solid Collection Filter will trap mercury-containing materials. Mercury is a defined and regulated "hazardous substance" under many local, state, and/or federal regulations. Accordingly, at the end of the use period, arrangement must be made for proper disposal of the Solid Collection Filter and its contents in accordance with all local, state and/or federal laws and regulations. This includes disinfecting the Solid Collection Filter prior to disposal/recycling using products registered with the Environmental Protection Agency (EPA) as a disinfectant agent. Refer to the supplied Certificate of Disinfection for a partial list of sterilants registered by the EPA.

Important: Make sure to save the craft paper (in bucket) packing material for reshipment.

Unpacking Replacement Filter

Refer to Figure 2 and unpack the Solid Collection Filter Recycling Pack Kit as follows.

1. Open the shipping carton and remove the shipping container (bucket) with locking lid and associated accessories.
2. Make sure that all components shown by Figure 1 were received
3. Set aside the shipping container (bucket) with locking lid, shipping carton, and all packaging necessary to pack the used (filled) filter for shipment to recycling service provider.

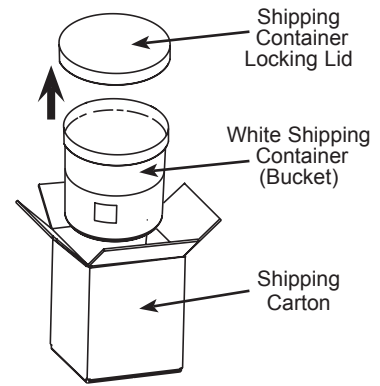


Figure 2.
Unpacking Recycling Pack Kit

Important: Make sure to disinfect the Disposable Solid Collection Filter before packaging for shipment. Shipping non-disinfected materials is a violation of many local, state and/or federal laws. See the Disinfecting the Filter section of the instruction sheet (P/N A1415) supplied with the filter replacement kit, P/N A1290.

Refer to the Acceptable - Non-Acceptable Materials List supplied with the kit for the acceptable materials allowed for shipment to the recycling vendor.

Make sure to pack filter with saved paper packing material for cushioning.

Note: Never ship the filled Solids Collection Filter or the used/contaminated Acadia assembly back to Air Techniques.

Filter Pack and Ship Procedure .

Refer to Figure 3 and pack the Solid Collection Filter for shipment by performing the following steps.

1. Close the Ziploc Disposal Bag containing the disinfected filter removed from the **Acadia** separator unit and place in the shipping container (bucket) using the saved paper packing material.
2. Replace lid on the white bucket and twist securely closed.
3. After securing the lid, place the supplied adhesive liner from the lid to the side of the container.
4. Fill out and sign Certificate of Disinfection form and place the form in the supplied Ziploc bag. Place the bagged Certificate of Disinfection on the top of the closed shipping container.
5. Place the closed shipping container into the interior carton and seal with the supplied adhesive liner.
6. Fill out the shipping return label. This information is **mandatory**. Upon request, a Certificate of Recycling will be returned using the information on the label.

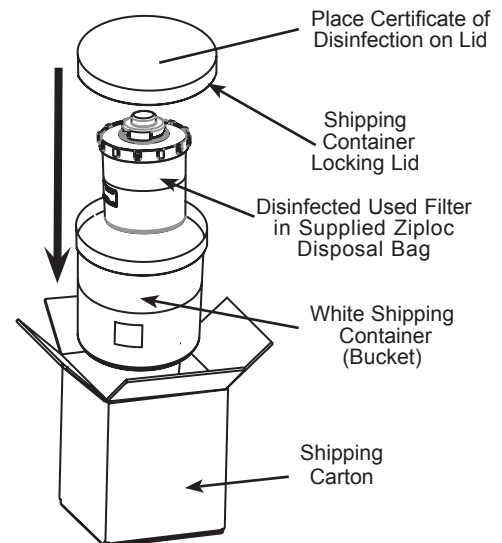


Figure 3. Packing Disinfected Filter for Shipment to Recycling Vendor