

# Intraoral Camera System

# Product Care Guidelines

Follow These Simple Cleaning Guidelines To Maintain Long Life Care

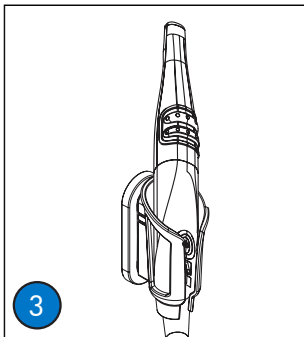
## DO's



1 Spray cloth.

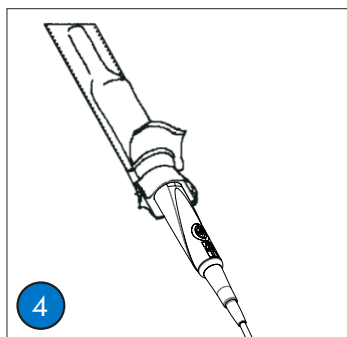


2 Wipe Handpiece.



3

Let handpiece air dry completely before placing in sheath.



4

Always use Camera Sheath (See note.)

**Note:** The sheath is the primary method of infection control and a new one must be used on each patient.

Instructions are provided if cleaning or disinfection is needed.

### Approved for Use

- Birex SE<sup>®</sup>
- 70% Isopropyl Alcohol
- Moistened cloth with warm water

## DON'Ts



- **Do not** autoclave the handpiece.
- **Do not** spray handpiece directly with liquids.
- **Do not** rinse or immerse the handpiece in liquids.
- **Do not** allow liquids to run into internal circuitry.

### Do not use following prohibited chemicals or solutions.

- |                              |                                       |
|------------------------------|---------------------------------------|
| • CaviWipes1 <sup>™</sup>    | • CaviCide1 <sup>™</sup>              |
| • CaviWipes <sup>™</sup>     | • CaviCide <sup>™</sup>               |
| • DisCide <sup>®</sup> Ultra | • Opti-Cide <sup>3®</sup>             |
| • Ammonia                    | • Ammonium Chloride                   |
| • Benzene                    | • Denatured alcohol                   |
| • Ethanol                    | • Ethylene Glycol Monobutyl Ether     |
| • Glutaraldehyde             | • Isopropyl alcohol (higher than 70%) |
| • Iodine solutions.          | • Lysol <sup>®</sup>                  |
| • Methyl Ethyl Ketone        | • Phenol based compounds              |

CaviCide<sup>™</sup>, CaviCide1<sup>™</sup>, CaviWipes<sup>™</sup>, CaviWipes1<sup>™</sup> are trademarks of Metrex. • DisCide<sup>®</sup> is a registered trademark of Palmero Health Care. Lysol<sup>®</sup> is a registered trademark of Reckitt Benckiser. • Opti-Cide<sup>®</sup> is a registered trademark of Micro-Scientific



Do not spray handpiece directly



Do not rinse or immerse



See Complete Care and Cleaning Instructions for camera in The Operator's Manual Supplied on CD.

[www.airtechniques.com](http://www.airtechniques.com)



Corporate Headquarters  
1295 Walt Whitman Road | Melville, New York 11747-3062, USA  
Phone: 1-800-247-8324 | Fax: 1-888-247-8481

