

MOJAVE[®]

Dry Vacuums

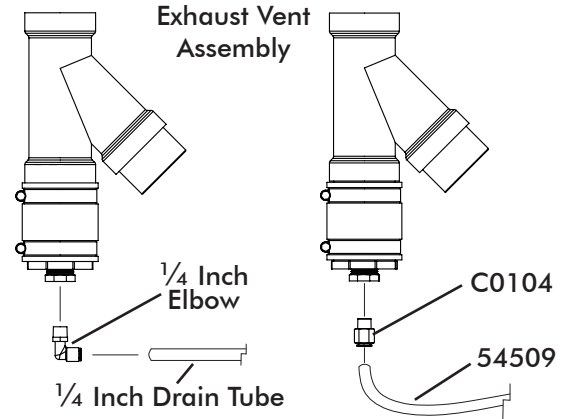
Drip Leg Tubing Replacement Kit

Part Number: H5299

Installation Guide

Tubing Replacement - Refer to the images to the right to replace the drip leg tubing.

1. Disconnect and discard 1/4" drain tube.
2. Unscrew and discard 1/4" elbow.
3. Tighten push-to-connect fitting C0104 into exhaust vent assembly as shown.
4. Push tubing 54509 into fitting C0104.
5. Cut tube 54509 to desired length.



www.airtechniques.com

AIR
TECHNIQUES

equipped for life[®]

Corporate Headquarters
1295 Walt Whitman Road | Melville, New York 11747-3062 | Phone: 800-247-8324 | Fax: 888-247-8481

