

# SCANX

Image Plate Scanners

## Quick Start Instructions

Part Numbers: J1200 and J1200e

**Thank You and Congratulations** on your purchase of the ScanX® Duo Touch the latest imaging product from Air Techniques, Inc. The device is hereafter referred to as ScanX throughout this document.

This document provides brief information to help you get started using your ScanX for the first time.

**Installation and Operating Instructions.** The current version of the installation and operating instructions is available in the Download Center:

[www.airtechniques.com/product/scanx-duo-touch/](http://www.airtechniques.com/product/scanx-duo-touch/)

Review and follow the guidelines provided in the manual to ensure your ScanX gives the highest level of service.

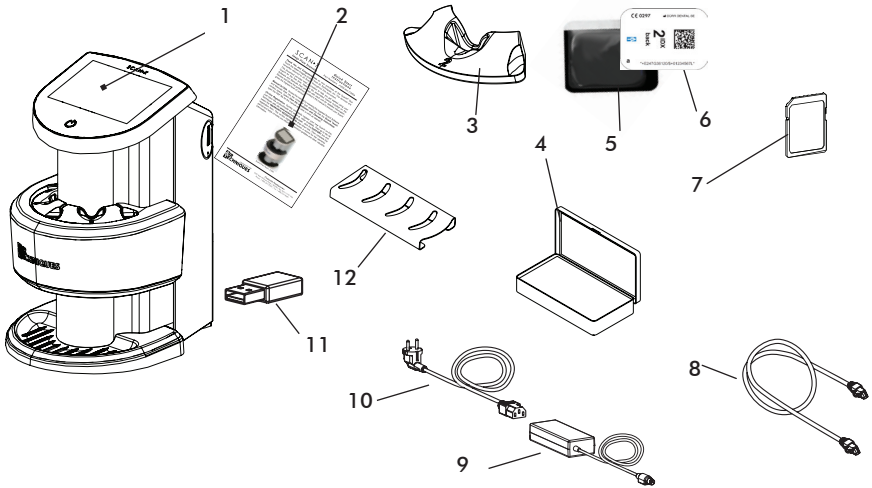


**On-line Registration.** Quickly and easily register your new ScanX on-line. Just have the product model and serial number available. Then go to the Air Techniques web site, [www.airtechniques.com](http://www.airtechniques.com), click the **SUPPORT** link and select the **WARRANTY REGISTRATION** drop down link. Then complete the registration form. This on-line registration ensures a record for the warranty period and helps us keep you informed of product updates and other valuable information.



ScanX Duo Touch, J1200

**Scope of delivery.** Unpack each component of ScanX and inspect for physical damage such as scratched panels, damaged connectors, etc. If there is any damage, notify your Air Techniques authorized dealer immediately so corrective action can be taken. Save all cartons and packing materials to protect ScanX in the event that it is to be transported or shipped in the future. If any item is missing, notify your dealer.



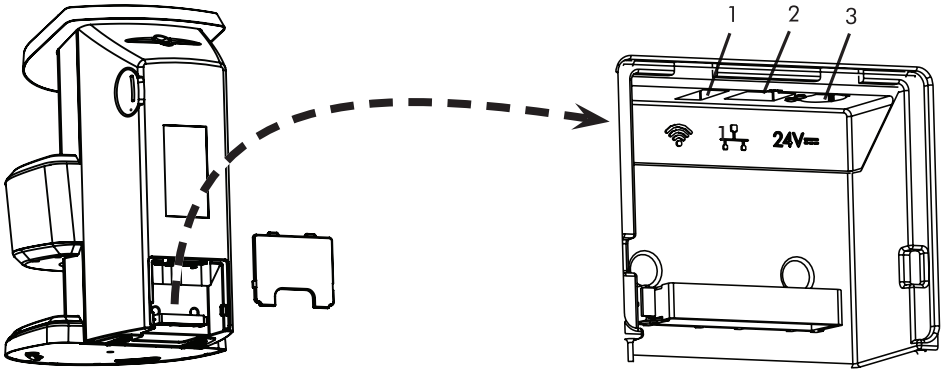
- |  |   |
|--|---|
| 1 ScanX Duo Touch Image Plate Scanner  | 7 SDHC memory card (installed)          |
| 2 ScanX Quick Start Guide              | 8 Network cable                         |
| 3 Plate guides                         | 9 Power supply adapter                  |
| 4 Transfer box                         | 10 Mains cable                          |
| 5 Barrier envelope                     | 11 Wireless network adapter (installed) |
| 6 Phosphor storage plate IDX (IDX PSP) | 12 Plate Guide Storage Rack             |

**Site Selection.** The ScanX may be located almost anywhere in the office. Follow these guidelines for optimum performance:

- Lighting conditions: Set up the scanner in ordinary room light, however, direct sunlight and interior lighting above and near the unit producing more than 1000 lux of light at the PSP inlet must be avoided.
- Provide a stable, flat counter top large enough to hold the scanner.
- Locate unit no further than 10 feet from a AC outlet for connection of the 24VDC Power Supply Adapter/Mains Cable.

---

## ScanX Rear Panel Connection Ports



1. **Wireless Adapter Connector** - Accepts USB Type A connector to connect a USB Wi-Fi adapter allowing ScanX access to Wi-Fi network for operation.
2. **Ethernet Network Cable Connection** - Accepts RJ45 connector to connect ScanX for operation via the Ethernet.
3. **24VDC Connection** - Provides for connection of power supply unit providing ScanX operating power.

**Connect ScanX for operation.** ScanX may be connected for operation using Ethernet or Wi-Fi connections. Refer to the ScanX Rear Panel Connection Ports illustration above and perform the connection as necessary.



See “8.1 Installing and configuring ScanX” in the manual for information on connecting to an Ethernet or Wi-Fi network.

**Connect ScanX with Wi-Fi adapter.** Remove the cover on the rear of ScanX and connect the supplied Wi-Fi adapter to the unit’s wireless connection port (item 1). Perform the Electrical connection procedures provided on the next page.


**Connect ScanX with Ethernet cable.** Remove the cover on the rear of ScanX and connect the supplied Ethernet cable between the unit’s Ethernet network connection port, item 2 and the facility network connector. Perform the Electrical connection procedures provided on the next page.

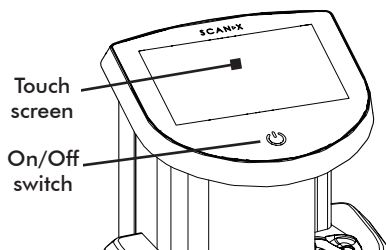
---

---

**Electrical connection.** Perform the following steps to connect the ScanX to the facility Mains. Before initial start-up, check the supply voltage with the voltage information on the model identification plate (see also “4 Technical Data” in the manual).

1. Remove the cover from the rear of the device.
2. Connect the 24VDC Power Supply Adapter Output Connection Cable to the Inlet Power Jack (item 3) located on ScanX rear panel as shown by the ScanX Rear Panel Connection Ports illustration.
3. Connect the 24VDC Power Supply Adapter to the Mains outlet using the Mains Cable.
4. Verify that the On/Off switch illuminates amber denoting ScanX is in the standby mode.
5. Replace and secure the rear cover making sure that it is correctly fitted.

Switch the scanner from Standby to ON by pressing the On/Off switch (  ) located on the top of the scanner. Verify that the On/Off switch lights up blue, signifying ScanX is on.



**Computer Setup.** Set up the computer system according to the manufacturer's recommendations. Make sure that the computer meets all requirements listed in the manual.

**Initial start-up.** Refer to the section 8 of the manual for detailed procedures to register and configure ScanX via VisionX. This allows ScanX to be operated using Ethernet or Wi-Fi connections. Once properly registered and configured, ScanX is ready for use.

The current version of VisionX software is available in the Download Center:  
[www.airtechniques.com/product/visionx-imaging-software/](http://www.airtechniques.com/product/visionx-imaging-software/)