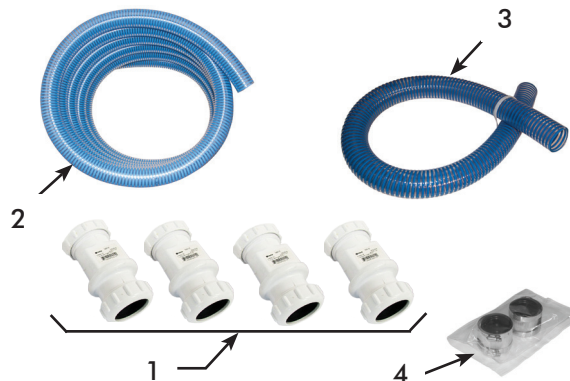


**Introduction.** This document provides instructions to connect 3V5 and 4V5 MOJAVE system configurations using the Triple and Quad System Installation Kit (P/N MIK4).

**Supplied Components.** The supplied components of the Triple and Quad System Installation Kit (P/N MIK4) are listed and shown below. Verify that all listed items were received. If any item is missing, notify your dealer.

Triple & Quad System Installation Kit (P/N MIK4), Contents

Item	Part No.	Description	Qty
1	54138	Check Valve	4
2	54521	1 ½" ID, Clear Hose with Blue Helix 30 FT	1
3	54512	2" ID, Clear Hose with Blue Helix 4 FT	1
4	H5234	2" Flexible Coupling Connector	2



**Plumber - Supplied Components.** The components required but not supplied to build a connection manifold are listed by the table below. All listed items are provided by the plumber.

Components Required But Not Supplied

Description	Qty
3" PVC or Copper Pipe 10 feet	1
3" PVC or Copper Elbow	1
3" to 2" PVC or Copper Reducing Bushing	1
3" Pipe Support	3
3" Sanitary Tees 1 ½" Slip End Fitting	3 or 4
3" PVC or Copper Clean Out	1
2" PVC or Copper Pipe 3" Long (minimum)	1
1 ½" PVC or Copper Pipe 3" Long (minimum)	3 or 4

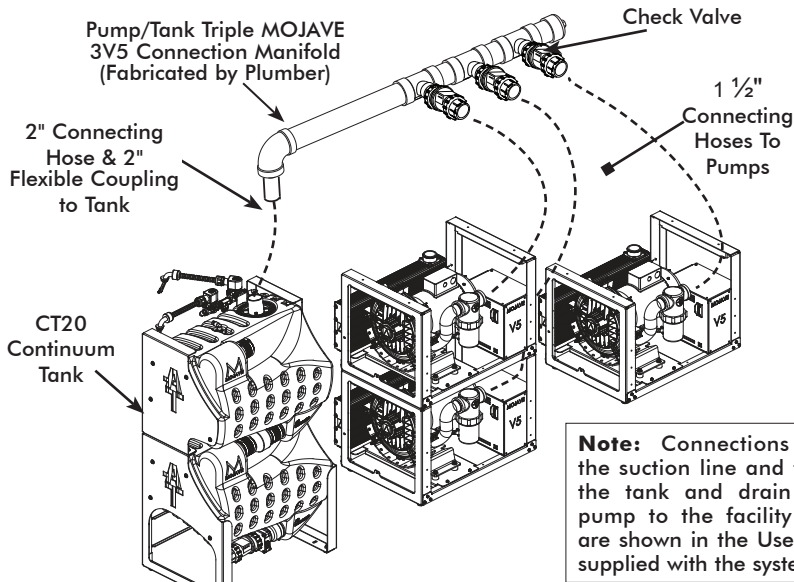
**Pump/Tank Connection Manifold Fabrication.** Refer to the figures on the back page and using industry standard techniques, fabricate a Pump/Tank Connection Manifold required for the **MOJAVE** system being installed.

1. Cut pipe to required lengths.
2. Install sanitary tees with center at least 1 foot apart.
3. Install elbow, reducing adapter and clean out plug.
4. Install check valves supplied.

**Connection Procedure.** Installation of the triple and quad **MOJAVE** configurations consist of making connections between a CT20 tank outlet and three or four V5 pumps using the fabricated Pump/Tank Connection Manifold as shown by the figures on the back page. Hoses between the suction line and tank, the tank and drain line and pump to the facility vent line are connected as shown in the User's Manual supplied with the system.

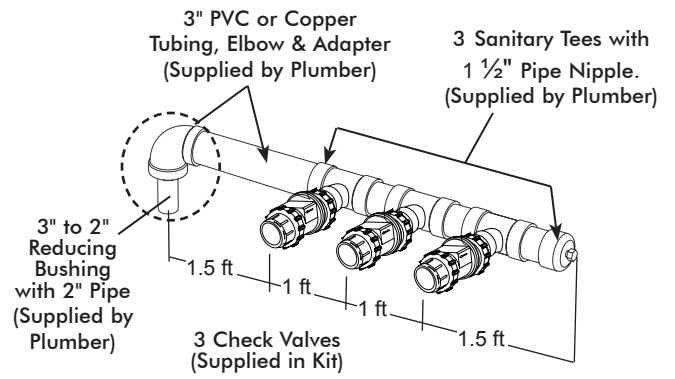
Connect the triple or quad **MOJAVE** configurations as follows.

1. Mount the completed manifold using at least 3 pipe supports that are supplied by the plumber.
2. Measure and record distance between each connection shown in the corresponding connection diagrams below.
3. Cut the supplied 1 ½" hose to the length required for each manifold to pump connection.
4. Install the 1 ½" hose, cut for installation, between the check valve and V5 pump air inlet.
5. Install 2" hose between the manifold inlet and tank outlet fittings. Secure with 2" flexible couplings.

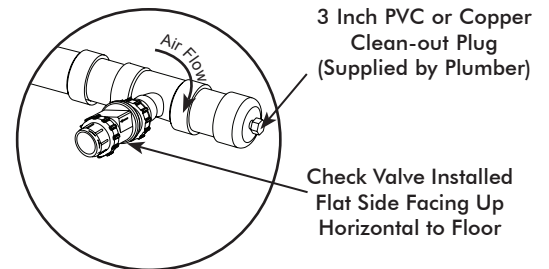


**Note:** Connections between the suction line and tank inlet, the tank and drain line and pump to the facility vent line are shown in the User's Manual supplied with the system.

3V5 System Connection Overall



3V5 System Pump/Tank Connection Manifold (Minimum 5 feet long.)



Check Valve Installation Detail

**Important:**

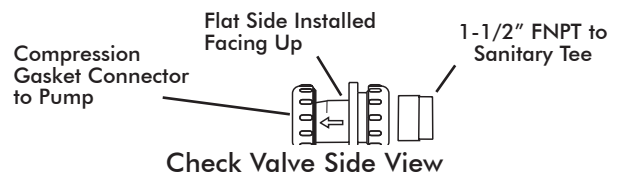
Make sure to efficiently use space by making connections as short and direct as possible to meet your particular site requirements.

Hang Pump/Tank Manifold using at least 3 pipe supports supplied by the plumber/installer.

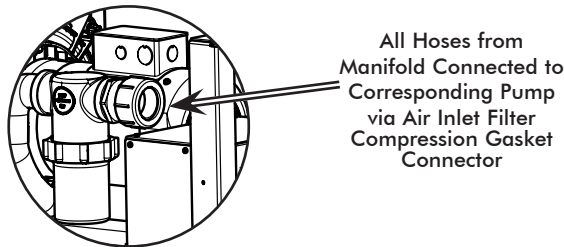
Orient check valve with flat side facing up and flow arrow pointing toward the manifold tee connection. Do not overtighten.

Since the vacuum hose is rigid, make sure not to stress connections especially at the pump inlet.

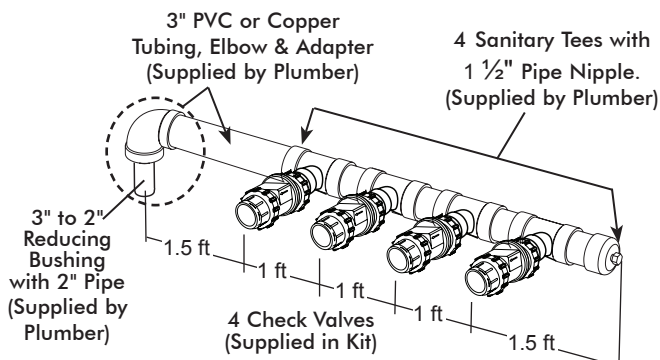
Make sure that all hose connections are straight and secure without any sharp bends or kinks.



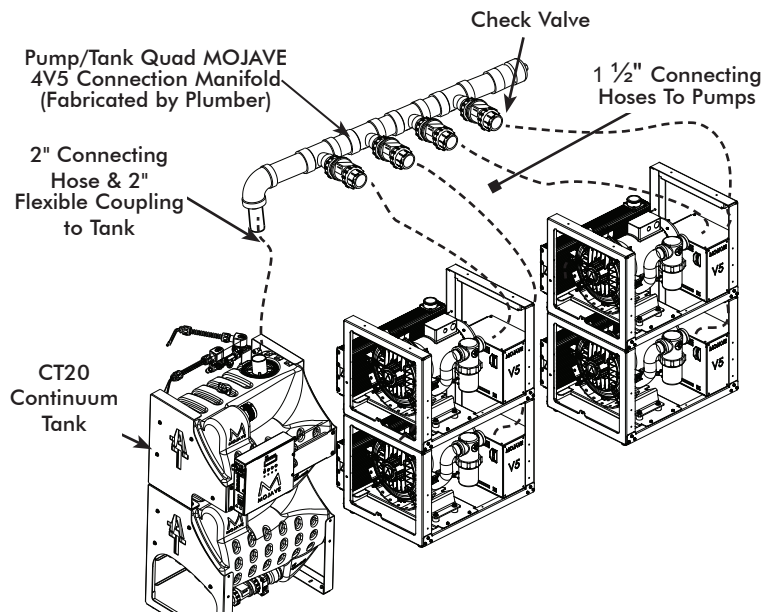
Check Valve Side View



Pump Hose Connection Detail (all pumps)



4V5 System Pump/Tank Connection Manifold (Minimum 6 feet long.)



4V5 System Connection Overall



Corporate Headquarters  
1295 Walt Whitman Road, Melville, New York 11747- 3062  
Phone: 800-247-8324 | Fax: 888-247-8481

Western Facility  
291 Bonnie Lane, Suite 101, Corona, CA 92880 - 2804  
Phone: 800-247-8324 | Fax: 951-898-7646

www.airtechniques.com