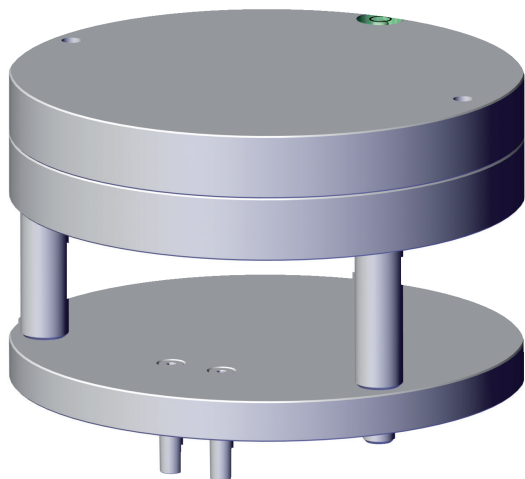


# Consistency Test Phantom 3D Set acc DIN 6868-15



EN-US Quick Reference Guide

The latest version of the instructions is available in this page:



<https://bit.ly/m/air-techniques-imaging-manuals>

# Contents



## Important information

<b>1</b>	<b>About this document</b> . . . . .	2
1.1	Warnings and symbols . . . . .	2
1.2	Copyright information . . . . .	2
<b>2</b>	<b>Safety</b> . . . . .	3
2.1	Transportation and storage . . . .	3



## Product description

<b>3</b>	<b>Overview</b> . . . . .	4
3.1	Scope of delivery . . . . .	4




## Usage

## ! Important information

### 1 About this document

These installation and operating instructions are an integral part of the unit.

 The manufacturer and the distributor accept no responsibility or liability for safe operation and reliable functioning of the device if the information and instructions contained in these installation and operating instructions are not observed.

The German version of the installation and operating instructions is the original manual. All other languages are translations of the original manual.

#### 1.1 Warnings and symbols

##### Warnings

The warning notes in this document highlight possible injury to persons or damage to machinery. They are marked with the following warning symbols:



General warning symbol

The warnings are structured as follows:



##### SIGNAL WORD

##### Description of type and source of danger

Here you will find the possible consequences of ignoring the warning

- › Follow these measures to avoid the danger.

The signal word differentiates between different levels of danger:

- **DANGER**  
Direct danger of severe injury or death
- **WARNING**  
Possible danger of severe injury or death
- **CAUTION**  
Risk of minor injuries
- **NOTICE**  
Risk of extensive material/property damage

##### Miscellaneous symbols

These symbols are used in the document and on or in the unit:



Note, e.g. specific instructions regarding the efficient use of the unit.



Manufacturer



Distributor



Part number



Serial number



Health Industry Bar Code (HIBC)

#### 1.2 Copyright information

All circuits, processes, names, software programs, and devices mentioned in this document are protected by copyright.

Any reprinting of the installation and operating instructions, in whole or in part, is only permitted with the written approval of the owner of the corresponding rights.

## 2 Safety

### 2.1 Transportation and storage

The original packaging provides optimum protection during transport and storage.

If required, original packaging for the unit can be ordered from Dürr Dental.

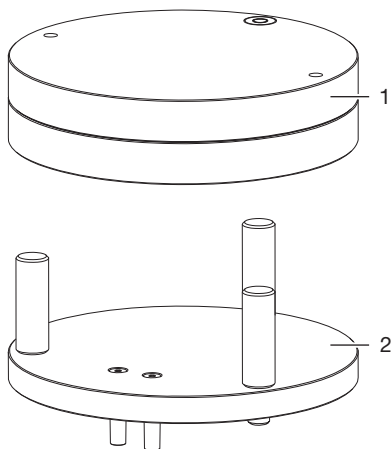


Dürr Dental will not accept any responsibility or liability for damage occurring during transport due to the use of incorrect packaging, even where the unit is still under guarantee.

1. Transport the device in its original packaging only.
2. Keep the packing materials out of the reach of children.

## Product description

### 3 Overview



- 1 Test phantom consistency check CBCT
- 2 Adjustment unit

#### 3.1 Scope of delivery

The following items are included in the scope of delivery (possible variations may apply due to country-specific requirements and/or import regulations):

**Consistency check test phantom 3D set** ..... **A7759**

- Test phantom consistency check CBCT
- Adjustment unit



## Usage

Refer to the x-ray's Installation Instructions for acceptance check procedure. Refer to the x-ray's Operating Instructions for consistency check procedure. Acceptance check must be done before consistency check.











**Distributed by:**

Air Techniques, Inc.  
1295 Walt Whitman Road  
Melville, New York 11747-3062, USA  
Phone: +1 800-247-8324  
Fax: +1 888-247-8481  
[www.airtechniques.com](http://www.airtechniques.com)



**Hersteller / Manufacturer:**

DÜRR DENTAL SE  
Höpfigheimer Str. 17  
74321 Bietigheim-Bissingen  
Germany  
[www.duerrdental.com](http://www.duerrdental.com)

