

**Introduction** - This two-sided sheet provides procedures to install the Provecta HD X-ray base unit using the single post mount option. Sheet 1 provides instructions to install the wall mounting plate, while sheet 2 gives the instructions to mount the X-ray base unit onto the installed wall plate. Refer to corresponding diagrams and install the plate and base unit by performing the following procedures. This mounting plate is intended for use with 4 x 4 inch wood wall studs or a single or double 2 x 4. The kit provides hardware for installation. Make sure to perform the installation in accordance with local code.

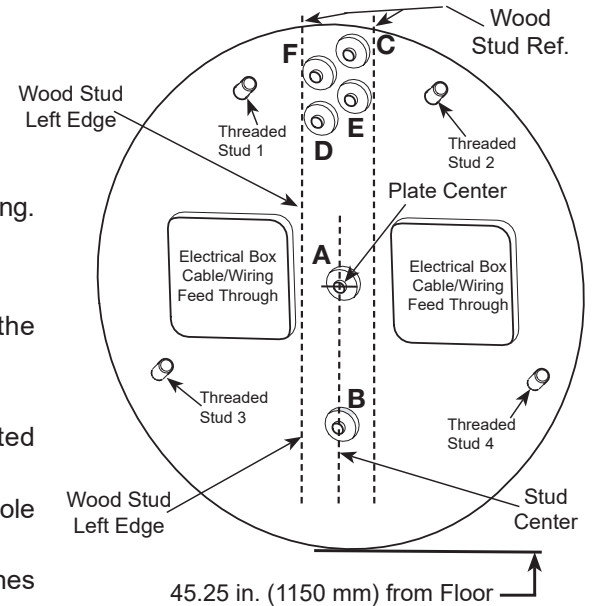
### Single Post Wall Mount Installation -

1. Unpack the supplied Single Post Mounting Plate, P/N A6389.

**Notes:**

1. This mounting plate is intended for use with 4 x 4 inch wood wall studs or a single or double 2 x 4.
2. Studs are normally spaced 16 inch on center apart

2. Using industry standard methods, locate the wall stud to be used for mounting.
3. Locate the center of the stud.
4. Place screw hole **A** of the mounting plate over the center of the stud.
5. Mark the position of all six holes and make sure each hole aligns with the stud area and none are over joints or areas with no stud backing.
6. Make sure that all six screws will fully engage with the stud backing.
7. Make sure power and control wiring electrical boxes are properly located to comply with industry standards and local codes.
8. Make sure that the center of hole **A** is placed over the marked position for hole **A** on the wall.
9. Check that the height of bottom plate edge from the floor is 45.25 inches (1150 mm) and.
10. Align the screw hole **A** of the mounting plate with the marked hole **A** position.
11. Using a corded or cordless drill with an 3/8 inch socket, drive a heavy duty connector screw into screw hole **A** tight enough to hold the plate on the stud. The screws are designed to be driven straight into wood using a slow and steady drill speed.
12. Make sure the plate is level and plumb by placing a level across threaded studs 3 and 4.
13. While further checking the level, drive a heavy duty connector screw into screw hole **B** tightly and tighten screw **A**.
14. Using a slow and steady drill speed, drive the remaining four screws into screw holes **C, D, E** and **F** tightly. Make sure all six screws are tight.



Provecta HD Single Post Mount Positioning

#### Caution: Load Capacity

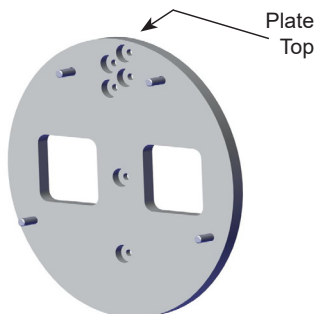
The wall support and mounting hardware for the Provecta HD installation using the single post wall mount plate must withstand a shear load of 237 pounds (108 kg) and a withdrawal force of 2106 lbf (955 kgf).

The wall fabrication and attachments to the building structure must be capable of withstanding a moment load of 1474 lbf ft (204 kgf m)

#### Caution:

Kit is designed for use with wood wall studs and is not intended to be used on any other installations.

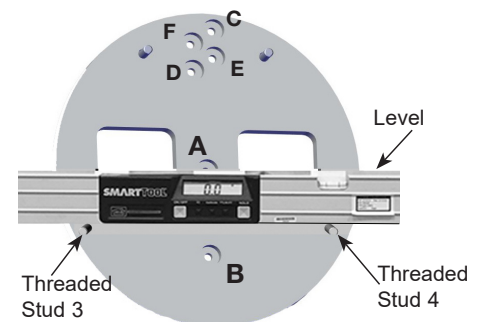
- Recommended for use with 4 x 4 inch wood wall studs or a single or double 2 x 4 wood wall stud.
- Not for use with metal wall studs.
- Never reuse old screw holes.



Supplied Single Post Mounting Plate, P/N A6389

#### No Pilot Hole Required

Drive each screw straight into the stud using a slow and steady drill speed.

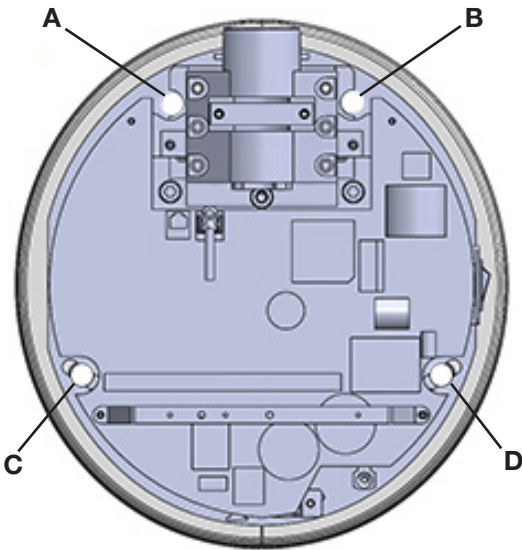


Check Plate Position (Level & Plumb)

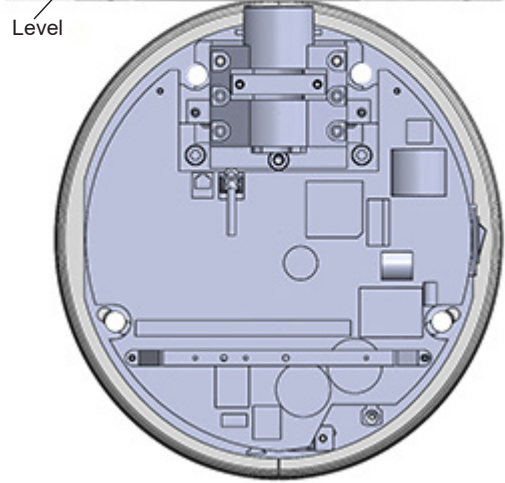
## Mounting the Base Unit -

Mount the base unit to the installed wall mounting plate by performing the following procedure.

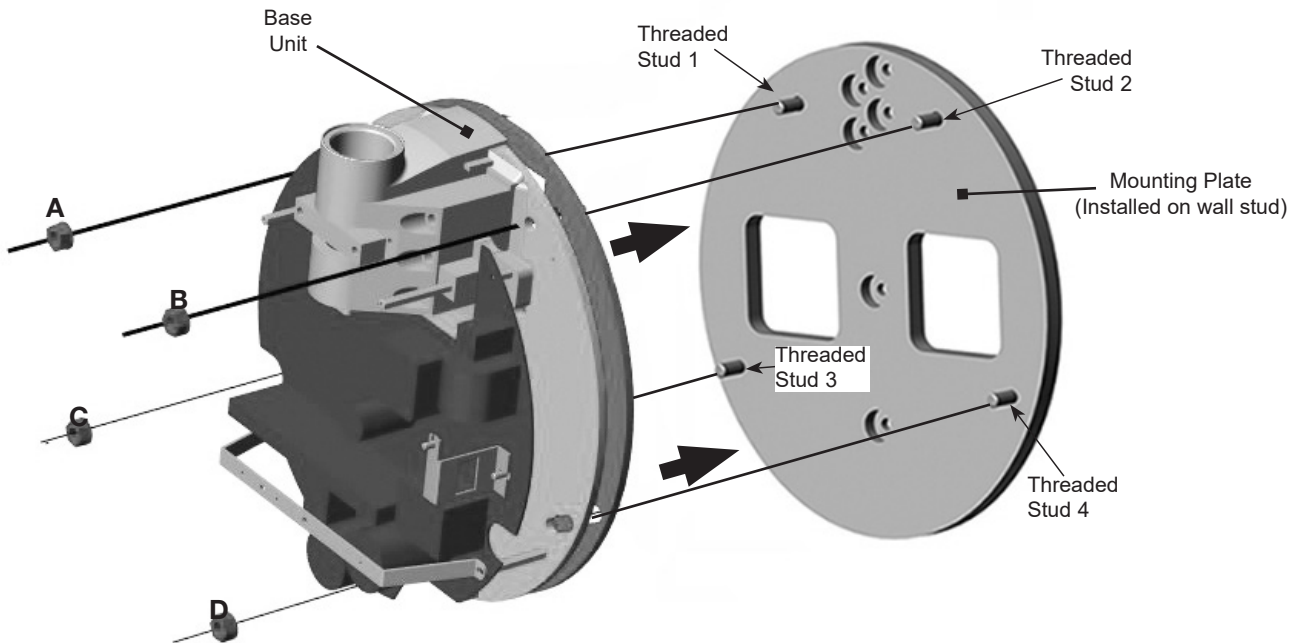
1. Align the screw holes (A, B, C and D) of the base unit with threaded studs (1, 2, 3 and 4) of the installed mounting plate as shown below.
2. Install four Kep nuts onto the threaded studs (A, B, C,D) and tighten nuts enough to hold the base unit in place.
3. Make sure the plate is level and plumb by placing a level across the top of the base unit. Verify that the base unit is properly positioned, hold the base unit in place and tighten Kep nuts A, B, C and D.



Base Unit Front View



Base Unit Position (Level & Plumb)



Mounting the Base Unit to Single Post Mounting Plate, P/N A6391

Included for Customer Convenience

	SMM Power Ball-Hex T-Key Wrench
A6427	For instructions for use, refer to the ProVecta HD Installation Guide (A6385) section titled "Scissor Arm Tension Alignment"