

**Important:** In dusty environments, the Intake Filter, PN 89938, may need to be changed more often than once a year.

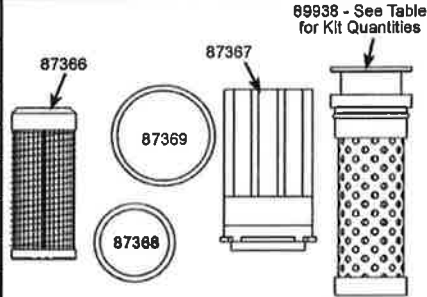
Always dispose of the removed filter in accordance with local codes.

■ **Filter Replacement - Yearly**

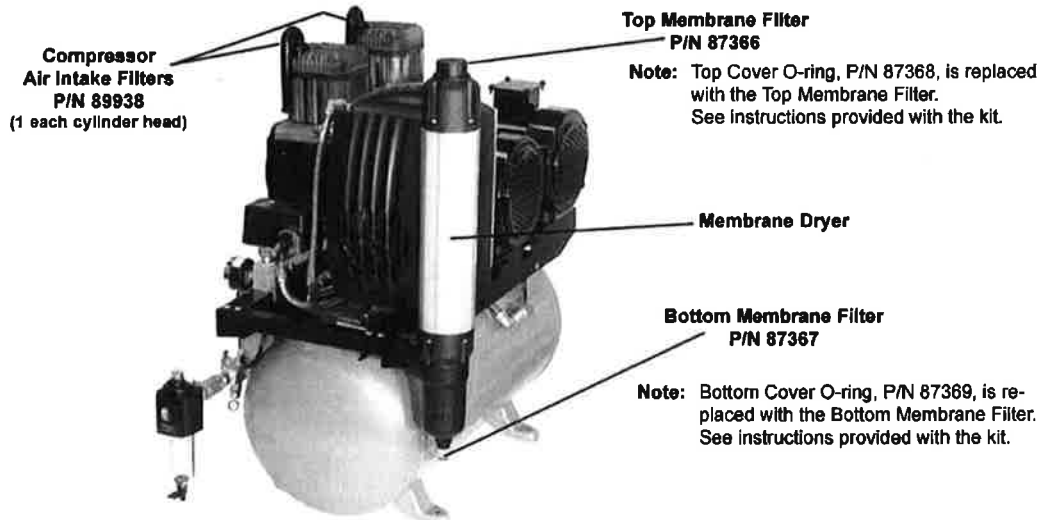
Refer to Figure 5 for the location of filters to be replaced using the preventative maintenance kit for the specific AIRSTAR mode listed below. Replace the filters and associated O-rings in accordance with the instructions provided with the kit.

**Filter Replacement Kits Supplied Components**

AirStar Model		AS10	AS21 AS22 AS30	AS50	AS70
Kit Part No		87351	87352	87353	87354
Component	Part No.	Quantity	Quantity	Quantity	Quantity
Compressor Air Intake Filter	89938	1	2	4	6
Top Membrane Filter	87366	1	1	1	2
Bottom Membrane Filter	87367	1	1	1	2
Top Cover O-ring	87368	1	1	1	2
Filter Bowl O-ring	87369	1	1	1	2



89938 - See Table for Kit Quantities



**Figure 5.**  
**AirStar Filter Location**