

### Installation:

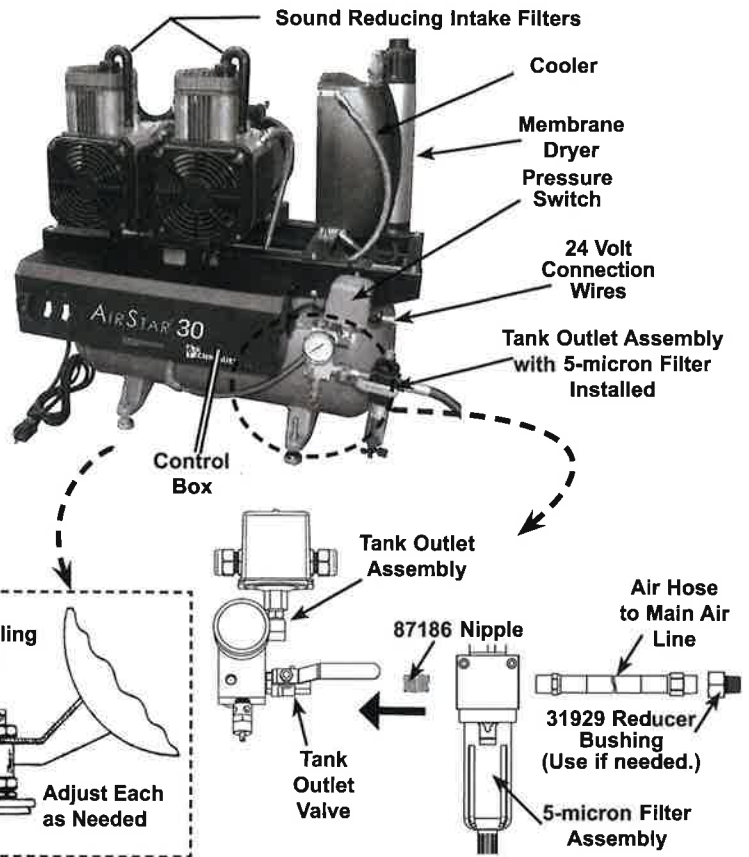
- Place AirStar in prepared utility site as shown by the Equipment Room Layout of this guide.
- Install leveling feet and level AirStar for installation.
- Install the supplied 5-micron Filter to the tank outlet.
- Connect the 5-micron Filter outlet to the operatory main air line. (Maximum 36 inch distance.)
- If installing a 24V remote switch, refer to the 24V Circuit Connections of this guide. Make sure the yellow and orange pressure switch wires are connected when not connecting a 24V remote switch.
- Connect AirStar to facility power.

### Operation:

- All Control Box switches must be in the ON position when using a 24V remote switch.
- The Control Box power switches are the power control for each motor.

**Note:** Compressor motors are designed to run together. Do not run one head at a time unless one head has failed and you are waiting for service.

- The motor circuit breaker must be kept in the ON position and should not be used as a switch.



**Note:** To comply with NFPA 99C, a 5-micron Filter is installed on the output of all AirStar models.

### Important:

- Make sure to install the system in accordance with all local electrical and plumbing codes.
- Make sure that all hose connections are straight and secure without any sharp bends or kinks.
- Refer to the AirStar Installation and Operation Manual, P/N 87109 as necessary for more detailed information.

### Routine Inspection - Monthly

- Clean exterior surfaces.
- Check for abnormal noises and air leaks.
- Make sure that no flammable, corrosive, or combustible materials are stored in the equipment room (especially in the area around the equipment).
- Check that pressure switch is operating between 85-115 psi.
- Inspect the Moisture Monitor for a color change:  
**Blue** indicates that the air in the storage tank is dry.  
**Pink** indicates a high level of humidity is in the storage tank.  
 See TROUBLESHOOTING on page 11 of the Installation and Operation Manual to correct this situation.

### Routine Inspection - Yearly

- Check the Service Indicator on the 5-micron Outlet Filter.  
**Red** indicates that the filter must be replaced P/N 87168.  
**Green** indicates no service is required.

**Important:** In dusty environments, the Intake Filter, PN 89831, may need to be changed more often than once a year.

### Filter Replacement - Yearly

- Replace filters using the preventative maintenance kit for the specific AirStar model listed on page 13 of the Installation and Operation Manual. Replace the filters and associated O-rings in accordance with the instructions provided with the kit.

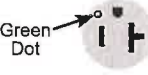

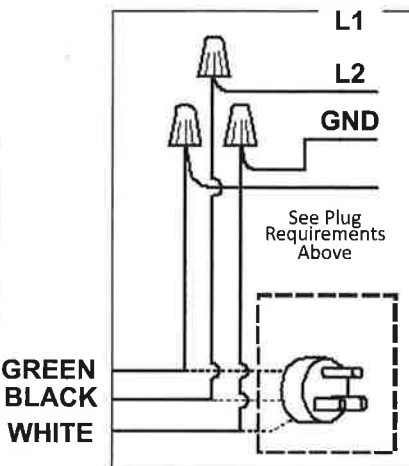
[www.airtechniques.com](http://www.airtechniques.com)

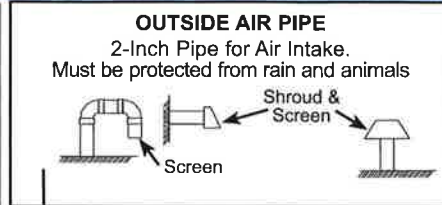


Air Techniques, Inc.  
 1295 Walt Whitman Road  
 Melville, New York, USA 11747-3062

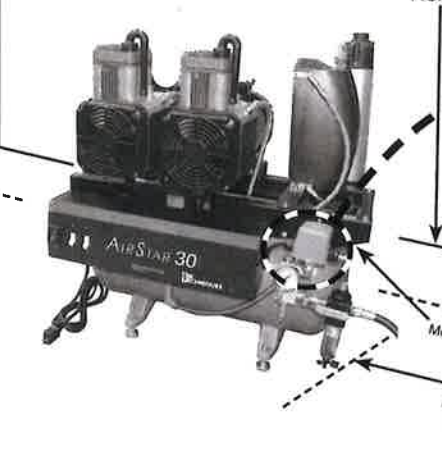
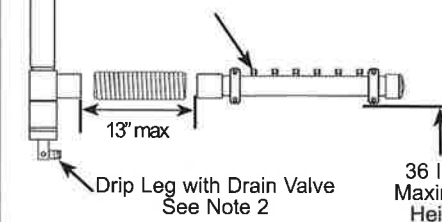


# Equipment Room Layout

Type		Style	
AS10	5-20R NEMA*		
AS12			
AS21			
AS22	6-20R NEMA*		
AS30			
AS40			
* Use Hospital Grade Receptacle Only			
AS50	AS70	AS100	Hard Wired **
			
** Disconnect Needed when Servicing			



**Remote Air Intake Kit Manifold** - Kit includes 2 inch PVC Pipe and flexible hose with 70 inches of clear tubing for connection to the air intake of each compressor. See Note 1.



- Notes:**
- Remote Air Intake Kit Manifold** - Refer to the table below listing the kit part number corresponding to the AirStar model.
  - Remote Air Intake Drip Leg & Valve** - A drip leg with drain valve must be installed at lower end of the remote air intake pipe to collect condensation during operation. Attach a drain tube to the drip leg valve to allow drainage into floor drain/sink.
  - Membrane Dryer Drain Valve** - Install the Drain Tube found in either accessory kit P/N 87133 or P/N 87134 used to drain moisture collected in the Membrane Dryer.

Remote Air Intake Kits:	Model Part No.	AS10	AS12	AS21	AS22	AS30	AS40	AS50	AS70	AS100
		85491	85491	85492	85492	85492	87361	85493	85494	855511

**Air System Plumbing Connection**

- 3/8" FNPT Shut-off valve and a 6 ft. pressure hose (supplied)
- Air distribution piping for all models - 1/2", type "L" or type "K" copper
- If pipe volume is too great, more than 235 in<sup>3</sup> or more than 100 ft. of 1/2" diameter pipe, a pressure regulator should be installed between the main tank and the distribution piping and set to 80 psi.

**Service Clearance**

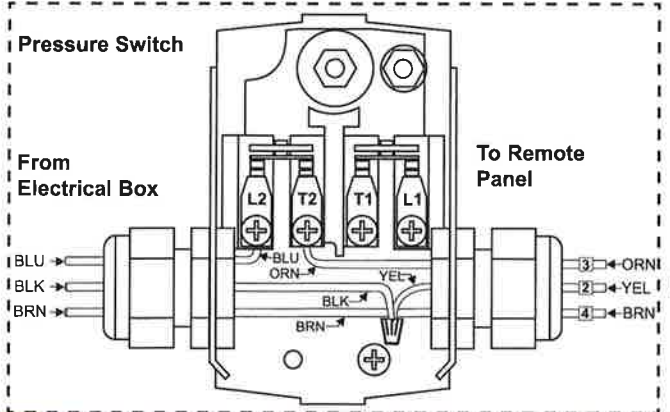
- Allow 12" on all sides for all units

**Ambient Temperature**

- Must not exceed 105°F
- Must be above 40° F

## 24 Volt Circuit Connections

**Important:** Make all remote switch wire connections inside the pressure switch and secure cable with strain relief.



- Notes:**
- Use 18 Gauge, 4 conductor, interconnect cable between the AirStar unit and Remote Switch Panel. When any 24V circuit exceeds 150 feet, use 16 Gauge.
  - The fourth conductor of interconnect cable is to be used for future equipment options/enhancements.
  - Connect the associated interconnect cable directly to remote switch. Please note that one switch is used for each compressor.
  - If a remote switch is not used, leave the factory connections.

